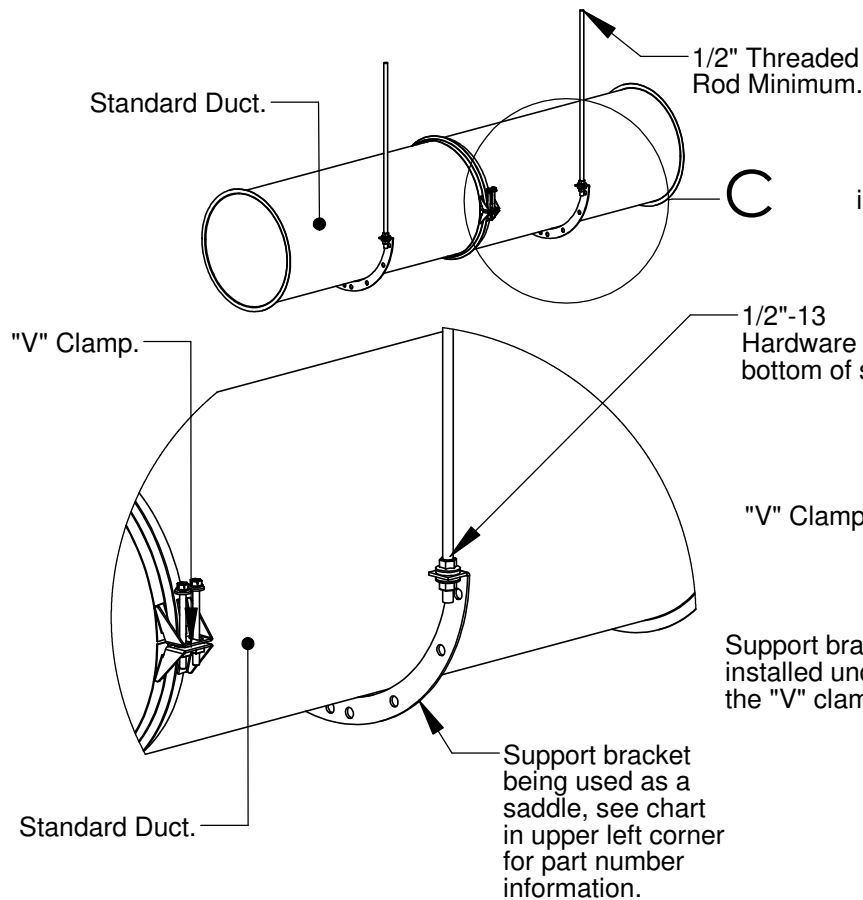
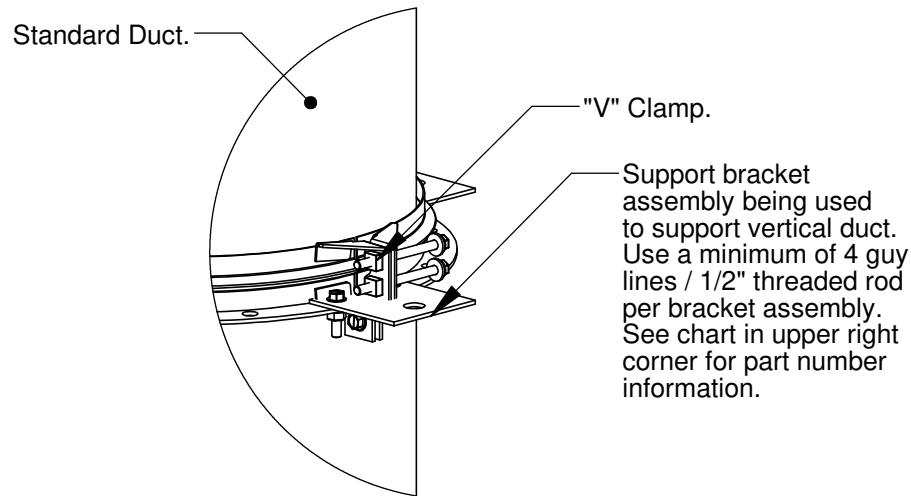


INFORMATION TABLE	
Duct Diameter	Part Number
5"	DW05SUBR
6"	DW06SUBR
7"	DW07SUBR
8"	DW08SUBR
10"	DW10SUBR
12"	DW12SUBR
14"	DW14SUBR
16"	DW16SUBR
18"	DW18SUBR
20"	DW20SUBR
22"	DW22SUBR
24"	DW24SUBR
26"	DW26SUBR
28"	DW28SUBR
30"	DW30SUBR
32"	DW32SUBR
34"	DW34SUBR
36"	DW36SUBR

# Duct Hanging Options

## See Installation Manual For More Information

INFORMATION TABLE	
Duct Diameter	Part Number
5"	DW05SUBRASY
6"	DW06SUBRASY
7"	DW07SUBRASY
8"	DW08SUBRASY
10"	DW10SUBRASY
12"	DW12SUBRASY
14"	DW14SUBRASY
16"	DW16SUBRASY
18"	DW18SUBRASY
20"	DW20SUBRASY
22"	DW22SUBRASY
24"	DW24SUBRASY
26"	DW26SUBRASY
28"	DW28SUBRASY
30"	DW30SUBRASY
32"	DW32SUBRASY
34"	DW34SUBRASY
36"	DW36SUBRASY



The curb is considered part of the vertical support system when used with any transition plate, TP, TPDB or TPDBEX. Single wall LT or ADJ is fully welded / bolted to the transition plate, the assembly is installed per the installation guide. The curb can support 24' of single wall duct.

